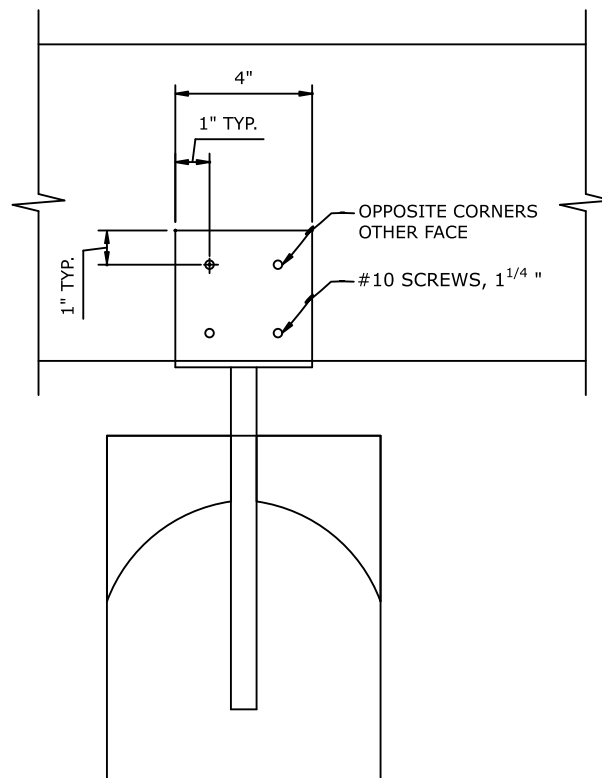


SECTION VIEW



SIDE VIEW

DETAIL 2 - BEAM CONNECTION BRACKET

FIG. 4