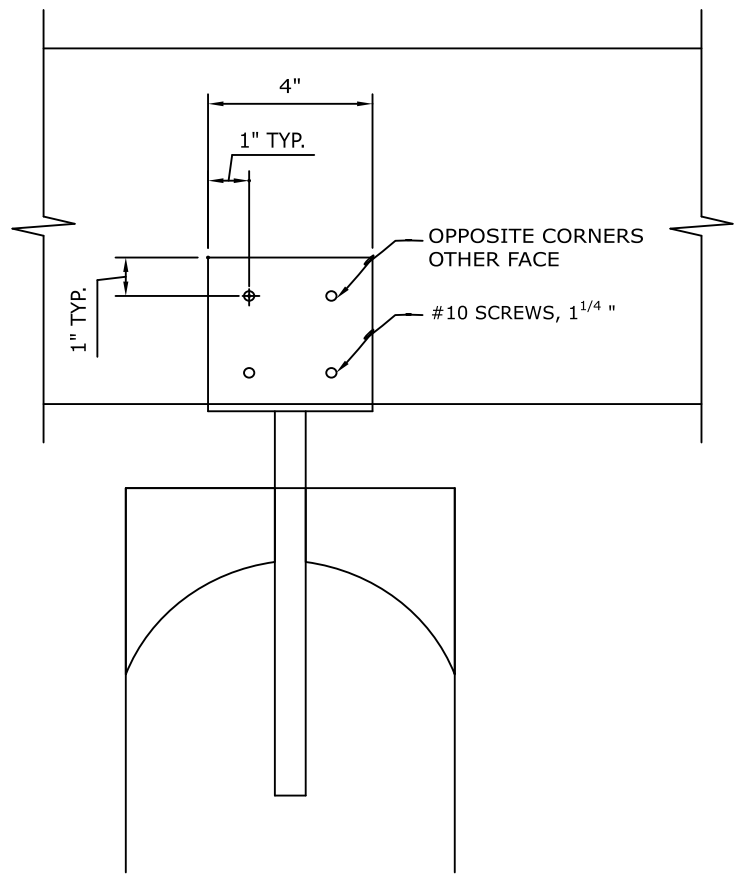


SECTION VIEW



SIDE VIEW

**DETAIL 1 - JOIST CONNECTION BRACKET**

**FIG. 3**